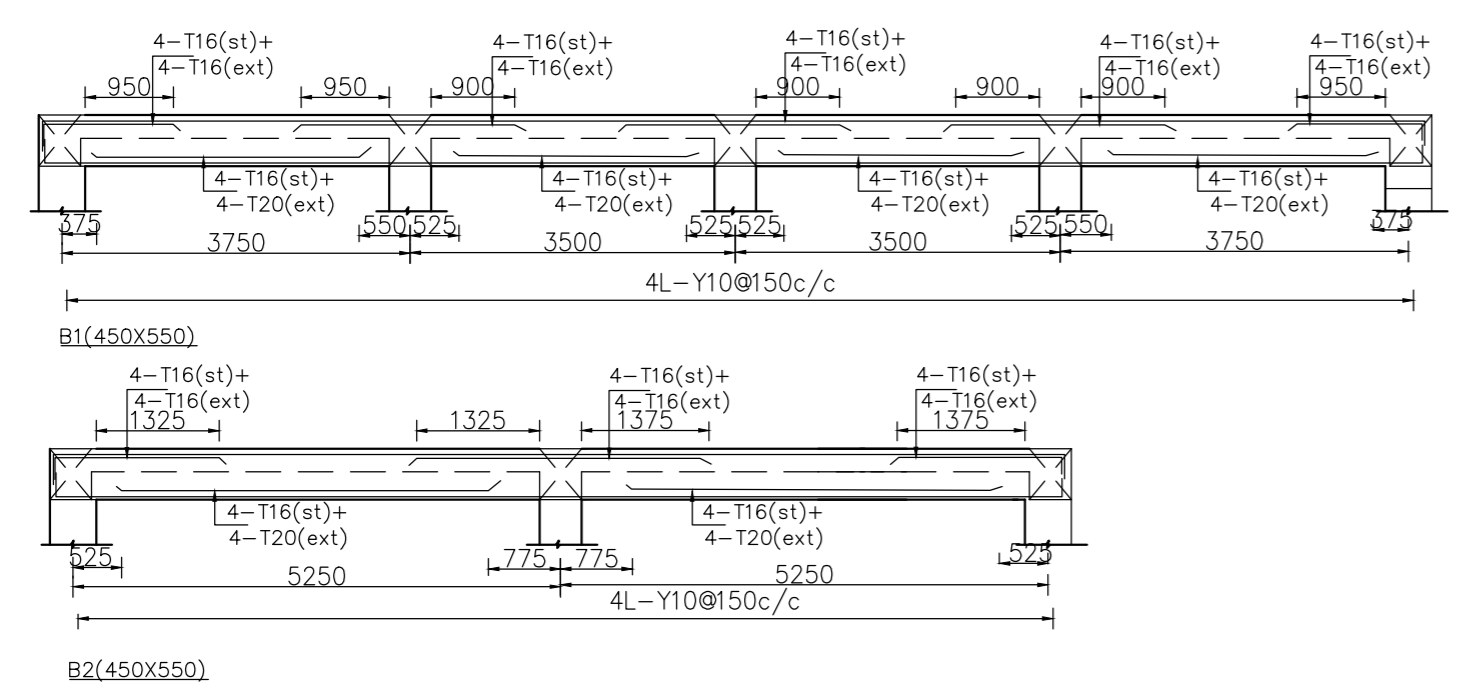



REINFORCEMENT DETAILS OF FOUNDATION AND WALLS

REINFORCEMENT DETAILS OF TOP SLAB AND GUTTER



- NOTES:**
- 1) ALL DIMENSIONS ARE IN MILLIMETERS, UNLESS OTHERWISE SPECIFIED.
  - 2) DO NOT SCALE THE DRAWING. FOLLOW THE INDICATED DIMENSIONS ONLY.
  - 3) ANY DISCREPANCY IN THE DRAWING SHOULD BE BROUGHT TO THE NOTICE OF THE CONSULTANTS.
  - 4) GRADE OF CONCRETE.: M30
  - 5) FOR STEEL, USE HYSD BARS OF GRADE FE 500.
  - 6) LAPS OTHER THAN THOSE SHOWN IN THE DRAWING MAY BE PROVIDED IN THE REINFORCEMENT BARS, WHEREVER REQUIRED, AS PER THE STANDARD LAPS.
  - 7) AT NO SECTION MORE THAN 50% OF BARS SHOULD BE OVERLAPPED AND LAPS SHALL BE STAGGERED.
  - 8) CLEAR COVER:  
SIDE WALL: 50MM  
RAFT : 75MM

CLIENT	GREATER HYDERABAD MUNICIPAL CORPORATION	
PROJECT	CONSTRUCTION OF RAIN WATER COLLECTION SUMP	
TITLE	REINFORCEMENT DETAILS OF SUMP (14.0x10.0x5.0)	
CONSULTANTS	 <b>KVR CONSULTANCY SERVICES</b> H.No: 4-1-970, Ahuja Estates, Upasana, Block-C, 415, Abids road, Hyderabad-500 001, M no: +-91 9246153159, Email id : kdevendar_reddi@yahoo.com	
DESIGNED :	DEVENDAR REDDY.K	DT:
CHECKED :	DEVENDAR REDDY.K	REV: R0
DRAWING NO:KVR/TS/GHMC/SUMP/02		