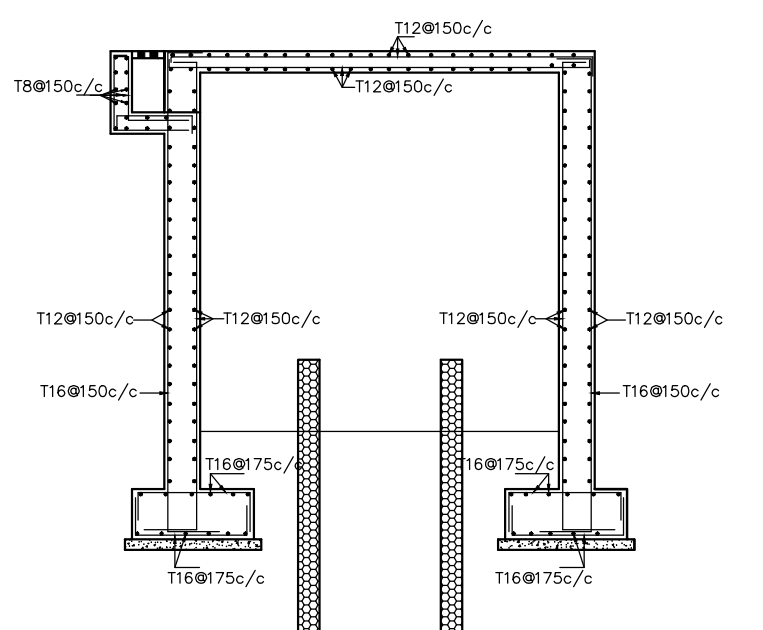
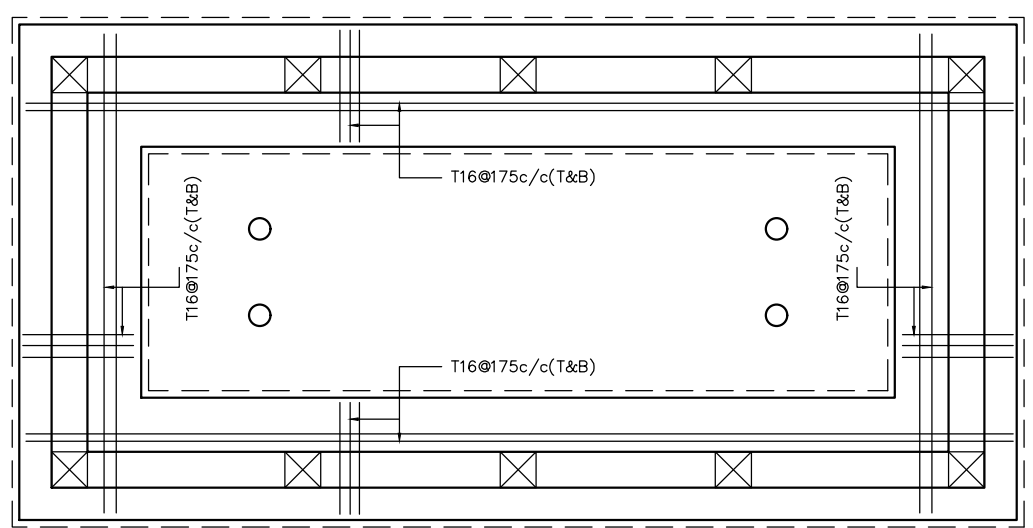


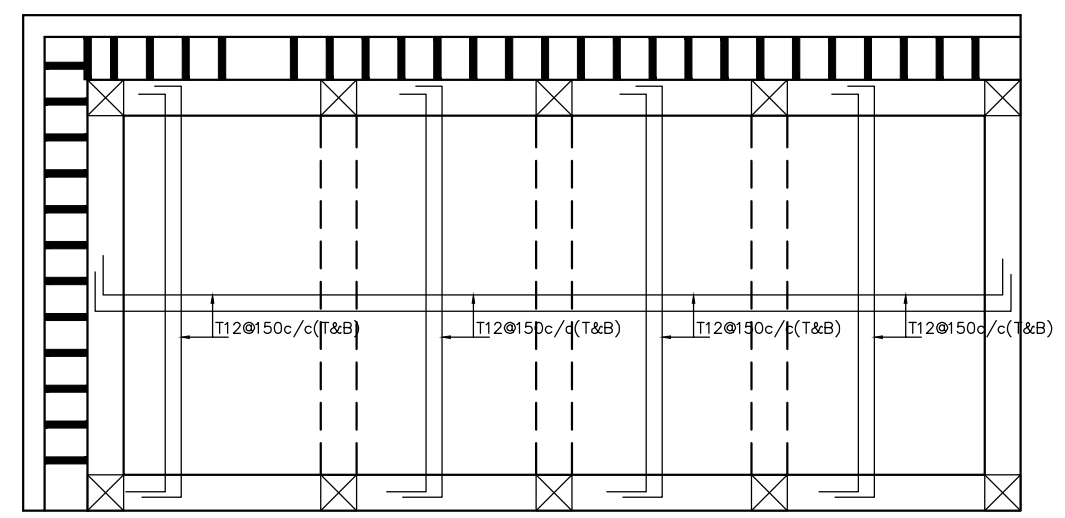
REINFORCEMENT DETAILS OF SUMP AT XX



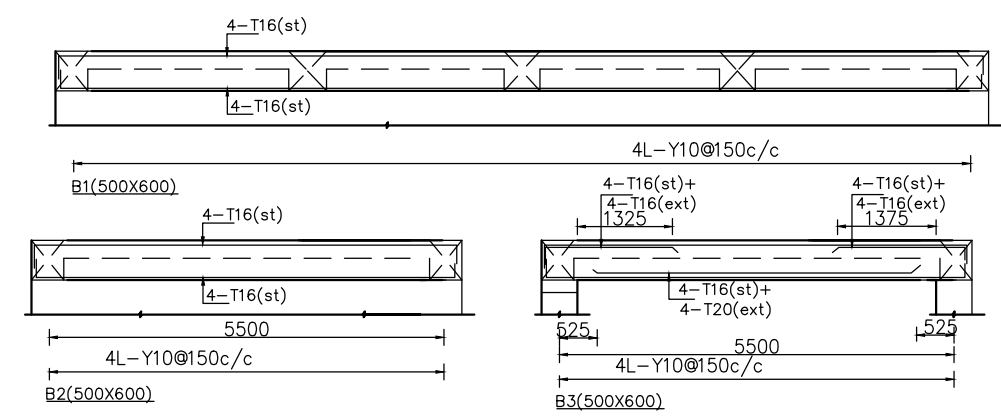
REINFORCEMENT DETAILS OF SUMP AT YY



REINFORCEMENT DETAILS OF FOUNDATION AND WALLS




REINFORCEMENT DETAILS OF TOP SLAB AND GUTTER



NOTES:

- 1) ALL DIMENSIONS ARE IN MILLIMETERS, UNLESS OTHERWISE SPECIFIED.
- 2) DO NOT SCALE THE DRAWING. FOLLOW THE INDICATED DIMENSIONS ONLY.
- 3) ANY DISCREPANCY IN THE DRAWING SHOULD BE BROUGHT TO THE NOTICE OF THE CONSULTANTS.
- 4) GRADE OF CONCRETE.: M30
- 5) FOR STEEL, USE HYSD BARS OF GRADE FE 500.
- 6) LAPS OTHER THAN THOSE SHOWN IN THE DRAWING MAY BE PROVIDED IN THE REINFORCEMENT BARS, WHEREVER REQUIRED, AS PER THE STANDARD LAPS.
- 7) AT NO SECTION MORE THAN 50% OF BARS SHOULD BE OVERLAPPED AND LAPS SHALL BE STAGGERED.
- 8) CLEAR COVER:
SIDE WALL: 50MM
RAFT : 75MM

CLIENT	GREATER HYDERABAD MUNICIPAL CORPORATION
PROJECT	CONSTRUCTION OF RAIN WATER COLLECTION SUMP
TITLE	REINFORCEMENT DETAILS OF SUMP (12.0x5.0x5.0)
CONSULTANTS	 KVR CONSULTANCY SERVICES H.No: 4-1-970, Ahuja Estates, Upasana, Block-C, 415, Abids road, Hyderabad-500 001, M no: +91 9246153159, Email id : kdevendar_reddi@yahoo.com

DESIGNED : DEVENDAR REDDY.K	DT:
CHECKED : DEVENDAR REDDY.K	REV: R0
DRAWING NO: KVR/TS/GHMC/SUMP/02	